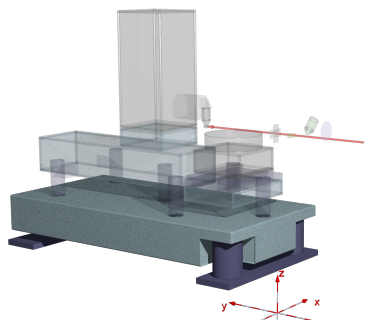


Base stage

Overview

The base stage is a heavy granite table on which the whole setup rests.

- [Overview](#)
- [Motion](#)



Motion

The coordinate system is defined in the [experiment sketch](#), rot_x, rot_y and rot_z refer to rotations around the x, y and z axes respectively.

direction	travel range
x	+/- 10(?) mm
y	-
z	+/- 50 mm
rot_x	1.0°
rot_y	1.0°
rot_z	-